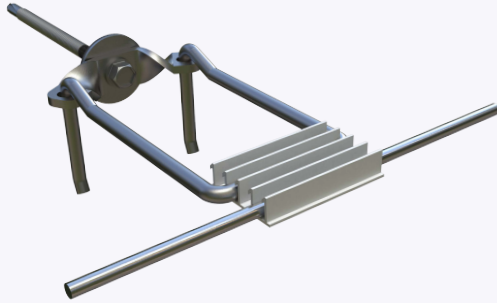


PRODUCT SUBMITTAL - THERM-A-BREAKTM Wing Anchor

Plastic



Material Conformance:

THERM-A-BREAKTM Wing Anchor – A high-performance single-screw veneer tie designed for metal stud backup walls. Capable of withstanding a 100 lb working load in both tension and compression at 0.05 in. deflection. **Single-Diameter Barrel / Screw:** Type 304 stainless steel all-thread barrel featuring a thermal-break coating that reduces thermal conductivity and enhances overall thermal performance. In addition, a 500-hour polymer coating is applied to further enhance corrosion resistance in aggressive or high-moisture environments. The 304 stainless steel substrate and proprietary thread design optimize structural performance while improving long-term durability.

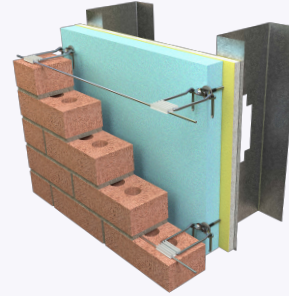
Wing: Premium Type 304 stainless steel wing designed to accommodate stainless steel or hot-dip galvanized veneer ties and hooks. The wing is protected with a 500-hour corrosion-resistant polymer coating to enhance durability and service life in exterior wall assemblies and harsh environmental conditions. The all-metal wing provides long-term dimensional stability and full compatibility with common masonry reinforcement accessories.

Thermal Break: Includes an integrated thermal break between the threaded barrel and the wing connection point, making it the first masonry anchor on the market to offer this feature while maintaining a continuous full-metal load path.

Unlike anchors that rely on plastic wings, plastic sleeves, plastic bushings, or plastic spacers to achieve a thermal break, the THERM-A-BREAKTM design avoids the long-term performance and safety risks associated with polymer structural components. Plastics are susceptible to creep under sustained load, embrittlement over time, and loss of strength at elevated temperatures. They are also vulnerable to UV exposure, chemical attack, and thermal cycling, all of which can degrade mechanical properties and dimensional stability over the life of the wall system.

In fire conditions, plastic components can soften, melt, or burn away, compromising the anchor's ability to maintain veneer support and load transfer. By contrast, the THERM-A-BREAKTM Wing Anchor maintains an all-stainless-steel structural design that will not melt, soften, or deform when tested in accordance with NFPA 251: Standard Methods of Fire Resistance of Building Construction and Materials. This ensures predictable structural performance, fire safety, and long-term reliability while still delivering meaningful thermal-bridging reduction through the coated thermal-break interface.

Washer: Dual-sealing oversized washer seals the threads of the screw and secures the insulation to the backup wall, significantly reducing or eliminating the need for separate insulation fasteners.



Recycled Content:

Stainless Steel Type 304

68% Post-Consumer

18% Pre-Consumer

Structural Performance:

Capable of withstanding 100 lbs load in tension and compression without deforming or developing play in excess of .05 inch. (Test results available upon request)

Sizes/Finishes:

Wing Finish: 304 Stainless Steel with 500/HR Salt Spray Test
Screw Finish: 304 Stainless Steel with 500/HR Salt Spray Test
Insulation / Gyp Board Thickness:

5/8" - 1 1/2"

2"-3"

3.5"-5"

Hook (Pintle): Diameter: 3/16"

Hook (Pintle):

Hot dip galvanized

Stainless Steel Type 304

Hook (Pintle): Length:

3"

4"

5"

6"

7"

Seismic Wire Hot Dip Galvanized: 9GA 3/16"

In order to email your submittal sheet information, you must have Adobe Acrobat installed on your computer.

NOTE

Patent Pending

The information provided herein is for general informational purposes only and does not constitute a professional opinion or engineering judgment. It is not intended to replace the design, detailing, or project-specific determinations of the licensed architect or engineer of record.

Each project is unique. The selection, application, suitability, and proper installation of these products are the sole responsibility of the design professional and installer based on project-specific conditions, substrate, exposure, and applicable codes.

All products and information referenced herein are subject to 3GEN Masonry Products, Inc.'s Terms and Conditions of Sale, including all limitations of liability, disclaimers of warranties, and exclusive remedies, as published and in effect at the time of sale.

Mailing Address

8528 Davis Blvd., #134-246 North
Richland Hills, TX 76182 Tel#:
1-800-556-5785

3genmp.com

Warehouse Address

8550 Parkway Drive Leeds,
AL 35094 Tel#:
1-800-556-5785