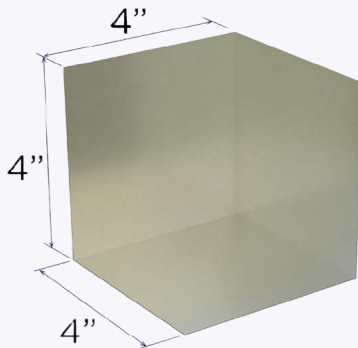
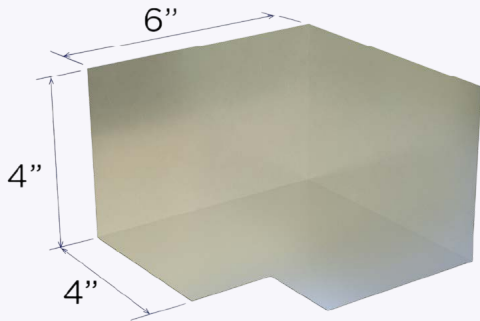
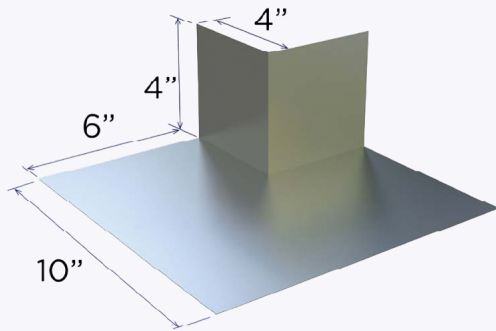


## PRODUCT SUBMITTAL - CORNERS & END DAMS



### Recycled Content:

Stainless Steel (Type 304)

68% Post-Consumer

18% Post-Industrial

### Material conformance:

3GEN Masonry Products, Inc.'s Prefabricated Stainless Steel Corners & End Dams are soldered to ensure durable inside corners, outside corners, and end dams.

They're designed to seamlessly integrate with all 3GEN Masonry Products, Inc. flashings, effortlessly positioning them beneath the flashing for superior defense against moisture infiltration.

Stainless Steel: Type 304 ASTM A240 / A240M,

ASTM A480 / A480M & ASTM A666.

### Sizes/Finishes:

Corners & End Dams: 26 gauge Thickness

Corners & End Dams: Stainless Steel (Type 304)

2 B / 2D Finish

Flashing Accessories:

End Dam

Outside Corner

Inside Corner

In order to email your submittal sheet information, you must have Adobe Acrobat installed on your computer.

### NOTE

All information, data, and recommendations on this submittal are provided for general informational purposes only and do not constitute any warranty, guarantee, representation, or professional opinion. No reliance shall be placed on this information. Product selection, suitability, design, installation, and code compliance are the sole responsibility of the architect, engineer, design professional, and contractor. All Products are provided subject to 3GEN Masonry Products, Inc. Terms and Conditions of Sale, including all limitations, disclaimers, exclusive remedies, and indemnity obligations.

#### Mailing Address

8528 Davis Blvd., #134-246 North  
Richland Hills, TX 76182 Tel#:  
1-800-556-5785

[3genmp.com](http://3genmp.com)

#### Warehouse Address

8550 Parkway Drive Leeds,  
AL 35094 Tel#:  
1-800-556-5785