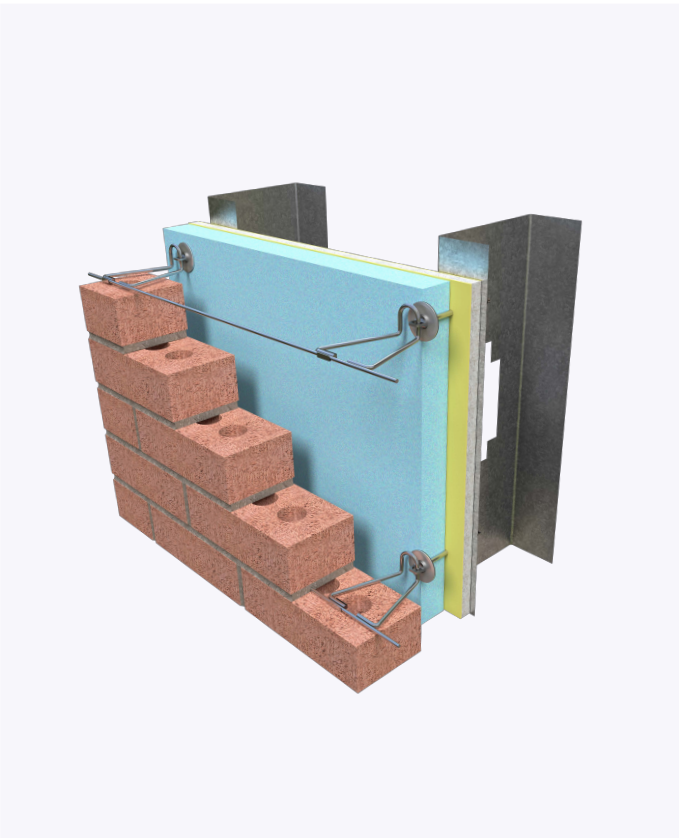


PRODUCT SUBMITTAL - Barrel Anchor – Metal Stud Seismic Welded Clip



Recycled Content:

85% Post-Consumer
10% Post-Industrial

Material Conformance:

The Barrel veneer anchor is used for anchoring brick to metal stud.
Recommended Spacing is 16" O.C.
Meets TMS 402/602 & ACI / ASCE 530 Building Code Requirements and Specification for Masonry Structures
Wire: (Carbon Steel) ASTM A1064 / A1064M
Tensile Strength: 80,000 psi. - Yield Point 70,000 psi.
Hot dip galvanized after fabrication.
ASTM A153 / ASTM A153-B2 (1.5 oz/ft)

Structural Performance:

Capable of withstanding 100 lbs load in tension and compression with-out deforming or developing play in excess of .05 inch. (Test results available upon request)

Sizes/Finishes:

Finish: Barrel Anchor: Polymer Coated 1000/HR Salt Spray Test

Barrel Anchor Wire Tie: Hot Dip Galvanized

Insulation / Gyp Board Thickness:

5/8"	1"	1 1/2"	2"	2 1/2"
3"	3 1/2"	4"	4 1/2"	

Barrel Anchor Wire Tie: Diameter: 3/16"

Barrel Anchor Wire Tie: Hot dip galvanized

Barrel Anchor Wire Tie: Length

3"	4"	5"	6"	7"
----	----	----	----	----

Seismic Wire Hot Dip Galvanized: 9 GA. 3/16"

In order to email your submittal sheet information, you must have Adobe Acrobat installed on your computer.

NOTE

All information, data, and recommendations on this submittal are provided for general informational purposes only and do not constitute any warranty, guarantee, representation, or professional opinion. No reliance shall be placed on this information. Product selection, suitability, design, installation, and code compliance are the sole responsibility of the architect, engineer, design professional, and contractor. All Products are provided subject to 3GEN Masonry Products, Inc. Terms and Conditions of Sale, including all limitations, disclaimers, exclusive remedies, and indemnity obligations.

Mailing Address

8528 Davis Blvd., #134-246 North
Richland Hills, TX 76182 Tel#:
1-800-556-5785

3genmp.com

Warehouse Address

8550 Parkway Drive Leeds,
AL 35094 Tel#:
1-800-556-5785