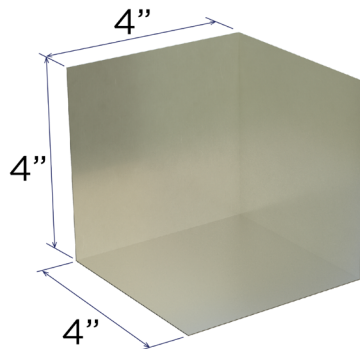
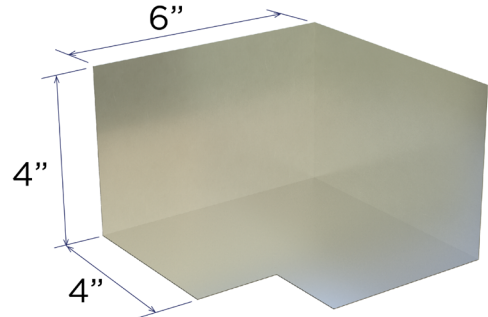
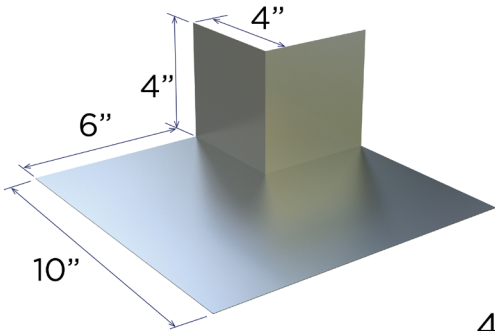


PRODUCT SUBMITTAL - CORNERS & END DAMS



Recycled Content:

Stainless Steel (Type 304)

68% Post-Consumer

18% Post-Industrial

MATERIAL CONFORMANCE

3GEN Masonry Products, Inc.'s Prefabricated Stainless Steel Corners & End Dams are soldered to ensure durable inside corners, outside corners, and end dams.

They're designed to seamlessly integrate with all 3GEN Masonry Products, Inc. flashings, effortlessly positioning them beneath the flashing for superior defense against moisture infiltration.

Stainless Steel: Type 304 ASTM A240 / A240M,

ASTM A480 / A480M & ASTM A666.

SIZES / FINISHES

Corners & End Dams: 26 gauge Thickness

Corners & End Dams: Stainless Steel (Type 304)

2B / 2D Finish

Flashing Accessories:

- End Dam
- Outside Corner
- Inside Corner

RESET EMAIL PRINT

NOTE

The information contained on this submittal sheet does not constitute any professional opinion or judgement and should not be used as a substitute for any architect or engineer professional determinations. Each construction project is unique and the use of these products is the responsibility of the architects, engineers and other professionals who are familiar with the specific design of the project.

Mailing Address

8528 Davis Blvd., #134-246
North Richland Hills, TX 76182
Tel#: 1-800-556-5785

3genmp.com

Warehouse Address

8550 Parkway Drive
Leeds, AL 35094
Tel#: 1-800-556-5785