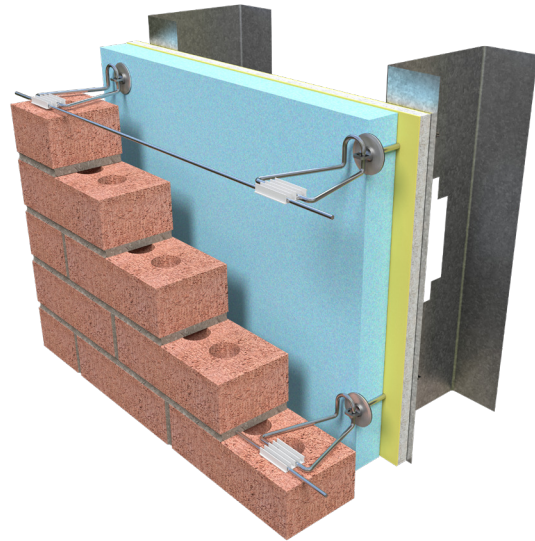
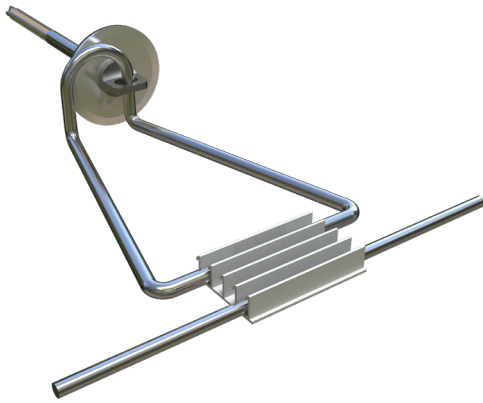




# PRODUCT SUBMITTAL - BARREL ANCHOR – METAL STUD SEISMIC PLASTIC CLIP



**Recycled Content:**

85% Post-Consumer

10% Post-Industrial

**MATERIAL CONFORMANCE**

The Barrel veneer anchor is used for anchoring brick to metal stud.

Recommended Spacing is 16" O.C.

Meets TMS 402/602 & ACI / ASCE 530 Building Code Requirements and Specification for Masonry Structures

Wire: (Carbon Steel) ASTM A1064 / A1064M

Tensile Strength: 80,000 psi. - Yield Point 70,000 psi.

Hot dip galvanized after fabrication.

ASTM A153 / ASTM A153-B2 (1.5 oz/ft)

**Structural Performance:**

Capable of withstanding 100 lbs load in tension and compression without deforming or developing play in excess of .05 inch. (Test results available upon request)

**SIZES / FINISHES**

Finish: Barrel Anchor: Polymer Coated 1000/HR Salt Spray Test

Barrel Anchor Wire Tie: Hot Dip Galvanized

Insulation / Gyp Board Thickness:

5/8"  1"  1 1/2"  2"  2 1/2"   
3"  3 1/2"  4"  4 1/2"

Barrel Anchor Wire Tie: Diameter: 3/16"

Barrel Anchor Wire Tie: Hot dip galvanized

Barrel Anchor Wire Tie: Length:

3"  4"  5"  6"  7"

Seismic Plastic Clip:

Seismic Wire Hot Dip Galvanized: 9 GA.  3/16"

**RESET EMAIL PRINT**

**NOTE**

The information contained on this submittal sheet does not constitute any professional opinion or judgement and should not be used as a substitute for any architect or engineer professional determinations. Each construction project is unique and the use of these products is the responsibility of the architects, engineers and other professionals who are familiar with the specific design of the project.

**Mailing Address**

8528 Davis Blvd., #134-246  
North Richland Hills, TX 76182  
Tel#: 1-800-556-5785

**3genmp.com**

**Warehouse Address**

8550 Parkway Drive  
Leeds, AL 35094  
Tel#: 1-800-556-5785